

- 性价比更高的锁销。
- 可快速进行工件的定位、固定。
- 为了防止从配合孔中脱落，请使用支杆（不锈钢板）。
- **PCPLS-NI** 为全不锈钢制。耐腐蚀性优良。

	PCPL	PCPLS	PCPLS-NI
旋钮	尼龙6 (亚光黑)	尼龙6 (亚光黑)	相当于SUS303
操作按钮	尼龙6 (红)	尼龙6 (红)	相当于SUS303
销	SUM22L 三价铬酸盐处理	相当于SUS303	相当于SUS303
支杆	相当于SUS304	相当于SUS304	相当于SUS304
内置弹簧	相当于SUS301	相当于SUS301	相当于SUS301



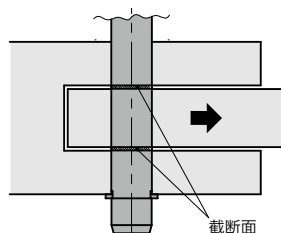
尺寸

PCPL 钢销、塑料旋钮 PCPLS 不锈钢销、塑料旋钮 PCPLS-NI 全不锈钢

单位: mm

型号	d	d1	d3	d2	L1	D	H	a	b	双面剪切载荷*1 (kN)	质量 (g)
PCPL-6	6	7.3	5.9	15	7	30	21	2.3	0.5	14	11 - 25
PCPL-8	8	9.8	7.9	15	8.4	30	21	2.8	0.6	28	14 - 46
PCPL-10	10	11.7	9.9	18	9.8	34	26	3.3	1	38	26 - 74
PCPL-12	12	13.7	11.9	18	11.3	34	26	3.8	1	61	36 - 108
PCPL-16	16	18.7	15.9	22	14.2	40	32	4.8	1.2	113	78 - 244
PCPL-20	20	22.7	19.8	25	14.8	40	33	4.8	1.2	187	117 - 390
PCPLS-6	6	7.3	5.9	15	7	30	21	2.3	0.5	17	11 - 27
PCPLS-8	8	9.8	7.9	15	8.4	30	21	2.8	0.6	35	13 - 53
PCPLS-10	10	11.7	9.9	18	9.8	34	26	3.3	1	47	24 - 72
PCPLS-12	12	13.7	11.9	18	11.3	34	26	3.8	1	75	33 - 108
PCPLS-16	16	18.7	15.9	22	14.2	40	32	4.8	1.2	138	78 - 239
PCPLS-20	20	22.7	19.8	25	14.8	40	33	4.8	1.2	228	117 - 368
PCPLS-6-NI	6	7.3	5.9	12	7	25	20	2.3	0.5	17	32 - 52
PCPLS-8-NI	8	9.8	7.9	15	8.4	30	21	2.8	0.6	35	51 - 86
PCPLS-10-NI	10	11.7	9.9	18	9.8	34	26	3.3	1	47	84 - 146
PCPLS-12-NI	12	13.7	11.9	18	11.3	34	26	3.8	1	75	94 - 181
PCPLS-16-NI	16	18.7	15.9	22	14.2	40	32	4.8	1.2	138	181 - 365
PCPLS-20-NI	20	22.7	19.8	25	14.8	40	33	4.8	1.2	228	218 - 494

*1: 表中数值仅供参考, 并非保证值。请考虑安全因素进行选择。
双面剪切载荷为截面有两面时的载荷。



无尘洗净·无尘包装 → P.xxxx

防松动 → P.xxxx

激光刻印 → P.xxxx

不可对应

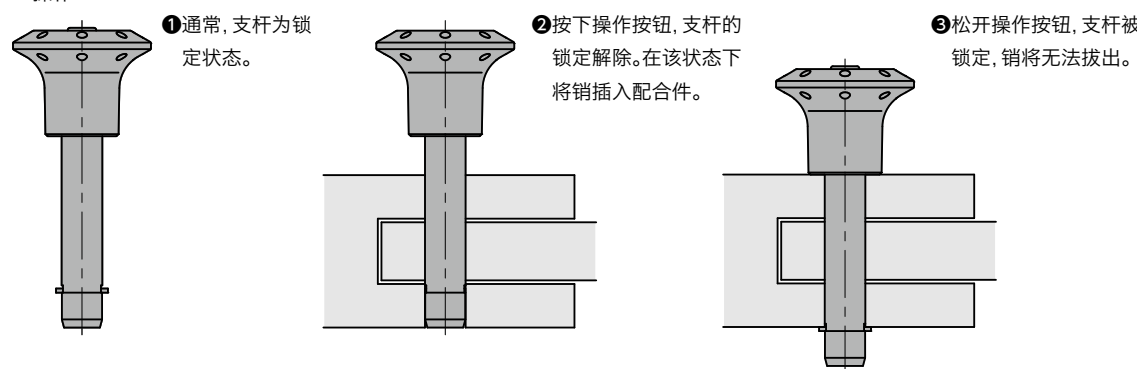
不可对应

可对应, 费用另计

PCPL 钢销、塑料旋钮 PCPLS 不锈钢销、塑料旋钮 PCPLS-NI 全不锈钢

型号	L (mm)																					
	10	12	15	16	20	25	30	35	40	45	50	60	70	80	90	100	110	120	130	140	150	
PCPL-6	●	●		●	●	●	●	●	●	●	●	●	●	●	●	●	●	●	●	●	●	●
PCPL-8	●			●	●	●	●	●	●	●	●	●	●	●	●	●	●	●	●	●	●	●
PCPL-10			●		●	●	●	●	●	●	●	●	●	●	●	●	●	●	●	●	●	●
PCPL-12					●	●	●	●	●	●	●	●	●	●	●	●	●	●	●	●	●	●
PCPL-16								●	●	●	●	●	●	●	●	●	●	●	●	●	●	●
PCPL-20									●	●	●	●	●	●	●	●	●	●	●	●	●	●
PCPLS-6	●	●		●	●	●	●	●	●	●	●	●	●	●	●	●	●	●	●	●	●	●
PCPLS-8	●			●	●	●	●	●	●	●	●	●	●	●	●	●	●	●	●	●	●	●
PCPLS-10			●		●	●	●	●	●	●	●	●	●	●	●	●	●	●	●	●	●	●
PCPLS-12					●	●	●	●	●	●	●	●	●	●	●	●	●	●	●	●	●	●
PCPLS-16								●	●	●	●	●	●	●	●	●	●	●	●	●	●	●
PCPLS-20									●	●	●	●	●	●	●	●	●	●	●	●	●	●
PCPLS-6-NI					●	●	●	●	●	●	●	●	●	●	●	●	●	●	●	●	●	●
PCPLS-8-NI					●	●	●	●	●	●	●	●	●	●	●	●	●	●	●	●	●	●
PCPLS-10-NI			●		●	●	●	●	●	●	●	●	●	●	●	●	●	●	●	●	●	●
PCPLS-12-NI					●	●	●	●	●	●	●	●	●	●	●	●	●	●	●	●	●	●
PCPLS-16-NI								●	●	●	●	●	●	●	●	●	●	●	●	●	●	●
PCPLS-20-NI									●	●	●	●	●	●	●	●	●	●	●	●	●	●

● 操作



● 适用的锁销用链条

锁销型号	适用锁销用链条型号			
	PBC → P.xxxx	PBCS → P.xxxx	PRC → P.xxxx	PSRC → P.xxxx
PCPL-6	PCPLS-6	PCPLS-6-NI		
PCPL-8	PCPLS-8	PCPLS-8-NI		
PCPL-10	PCPLS-10	PCPLS-10-NI	PBC- *-14	
PCPL-12	PCPLS-12	PCPLS-12-NI		
PCPL-16	PCPLS-16	PCPLS-16-NI		
PCPL-20	PCPLS-20	PCPLS-20-NI		
			PBCS- *-14	
				PRC- *-14
				PSRC- *-14

● 锁销用链条的详情请参照各产品页。

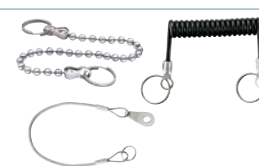
● 相关产品

备有用于防止锁销丢失的各种锁销用链条、线缆和卷线。

PBC PBCS → P.xxxx

PRC → P.xxxx

PSRC → P.xxxx



● 型号指定

PCPLS-10-40-NI

1 2 1

2 销长度请从表中标有●的尺寸中选择。